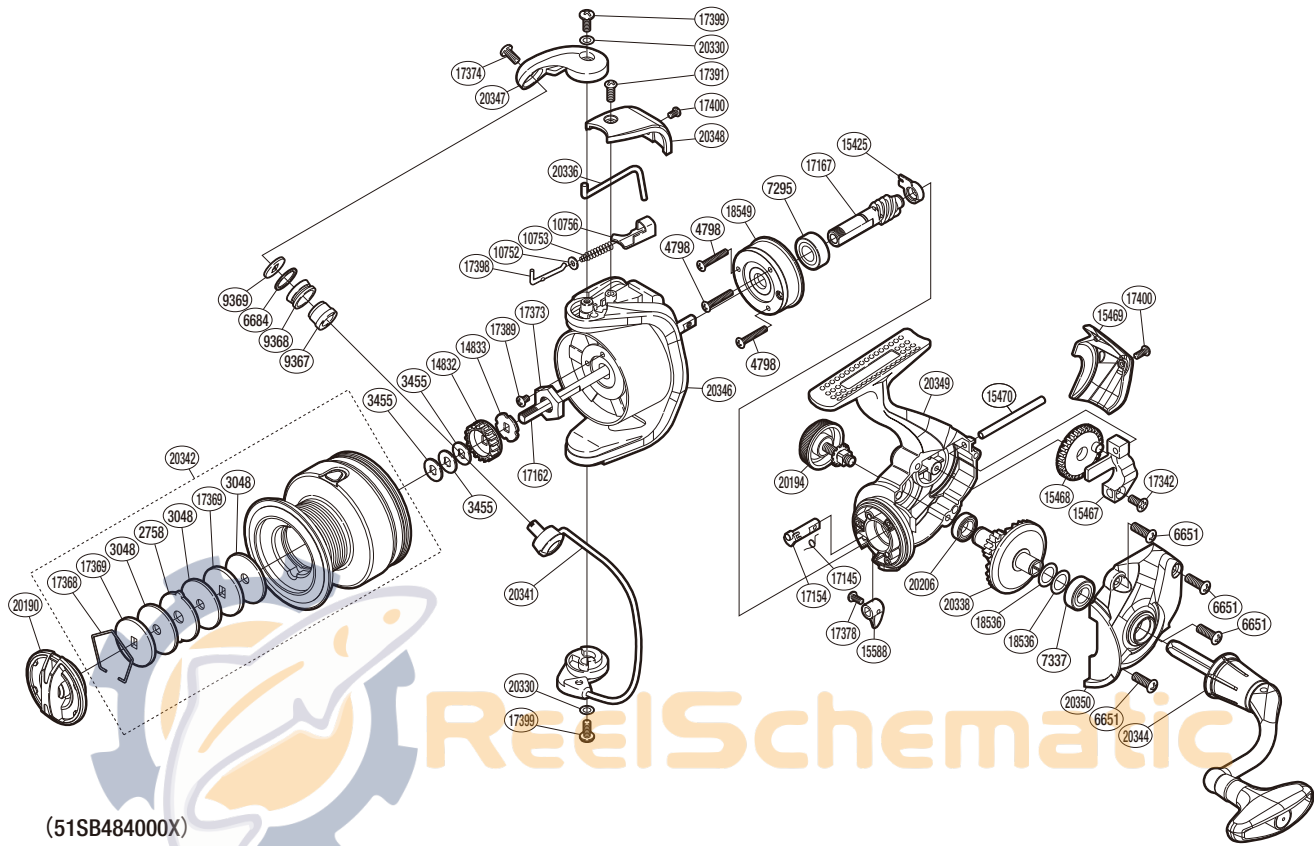


SHIMANO

SIENNA

SN4000FG



(51SB484000X)

Please note that the number of adjusting washers may not be the same as shown in the exploded views. (Adjustment will vary with each individual product.)

Part No.	Description	Part No.	Description	Part No.	Description
RD 2758	Eared Washer	RD15468	Oscillating Gear	RD17400	Screw
RD 3048	Drag Washer	RD15469	Rear Protector	RD18536	Washer
RD 3455	Spool Washer	RD15470	Oscillating Guide	RD18549	Roller Clutch Assembly
RD 4798	Screw	RD15588	Anti-Reverse Lever	RD20190	Drag Knob
RD 6651	Screw	RD17145	Anti-Reverse Cam Spring	RD20194	Handle Screw Cap
RD 6684	Line Roller Spacer	RD17154	Anti-Reverse Cam	RD20206	Ball Bearing
RD 7295	Ball Bearing	RD17162	Main Shaft	RD20330	Washer
RD 7337	Ball Bearing	RD17167	Pinion Gear	RD20336	Bail Trip Lever
RD 9367	Line Roller Bushing	RD17342	Screw	RD20338	Drive Gear
RD 9368	Line Roller	RD17368	Drag Washers Retainer	RD20341	Bail Assembly
RD 9369	Line Roller Washer	RD17369	Key Washer	RD20342	Spool Assembly
RD10752	Bail Spring Guide A Collar	RD17373	Rotor Nut	RD20344	Handle Assembly
RD10753	Bail Spring	RD17374	Screw	RD20346	Rotor
RD10756	Bail Spring Sheet	RD17378	Screw	RD20347	Bail Arm
RD14832	Spool Support A	RD17389	Screw	RD20348	Bail Spring Cover
RD14833	Spool Support B	RD17391	Screw	RD20349	Body
RD15425	Pinion Gear Bushing	RD17398	Bail Spring Guide A	RD20350	Side Cover
RD15467	Oscillating Slider	RD17399	Screw		